

Main features

Printing type



Barcode



Logos



Alphanumeric text

Maximum height



0-15 mm



16-100 mm



Above 100 mm

Printing surfaces



Primary packaging



Secondary packaging



Raw material

- INDUSTRIAL RELIABILITY**
 Stainless steel structure IP55 suitable for several industrial environments and renewed hydraulic system for assuring high performance.
- REVOLUTIONARY SOFTWARE**
 ORKESTRA, New ZANASI management software on stable and flexible operating system. A new coding experience with customizable user interface for single operator and graphic editor with stretch e drag & drop functions.
- TOTAL CONNECTION AND INTEGRATION**
 Advanced and versatile integration through Ethernet, USB and serial ports. Rapid and flexible external database management with fixed and variable text field types.

Z4700

TECHNICAL SPECIFICATIONS

PRINTING CHARACTERISTICS

- Up to 4 lines of print
- Characters height from 0,8 to 12 mm (0,032" – 0,47")
- Line speed capability: up to 400 mt/min (1320 ft/min)
- Print rate: up to 2136 ct/sec
- Messages and logos storage: up to 4 GB with expandable micro SD memory
- Up to 6800 stroke per message
- Fixed and variable text field types (with operator, automatic or external)
- Text field placing is freely selectable
- Available fonts: 5x4, 5x5, 7x4, 7x5, 9x7, 10x8, 16x10, 24x16
- Space between characters is freely selectable
- Print intensity is freely selectable
- Rapid images, shapes and lines creation from touch-screen display
- Automatic date, time, offsets and expiry date multifunction
- Incrementing/decreasing alphanumeric product counters up to 9 digits
- Metric repeat print – message function
- Customizable message repeat with single print start
- Field orientation: 0°, 90°, 180°, 270°
- Print with text rotation angle
- Coding throw distance up to 90 mm - 3,54" (single line from minimum 3 mm - 0,118")

BAR CODES

- 2/5 Industrial, UPC-A, CODE 39, EAN 13, CODE 128 (A,B,C), EAN 128 (A,B,C), 2D - Datamatrix, ITF (A,B,C)

CONTROL UNIT CHARACTERISTICS

- 10,1" TFT full color anti-reflection high contrast LED touch-screen
- Stainless steel structure AISI 304
- IP55 rating, no compressed air
- Conduit length: 2 mt – 6,56 ft (4 mt – 13,1 ft optional)

GENERAL FEATURES

- Exclusive customizable user interface for single operator (functionality, language and alphabets)
- Intuitive user interface with graphic icons
- Innovative graphic editor with stretch & drag & drop functions with smartphone technology
- User interface and virtual keyboard with foreign languages and alphabets
- Automatic flushing with solvent recycling in both start up and shut down
- Low consumption thanks to the enhanced recycling system
- Message storage with file name
- Print parameters storage in the messages

- Check message dimension
- Multi-level access with login
- Report function for executed printing counter
- On line help and user manual with contextual photos and videos

PRINTHEAD

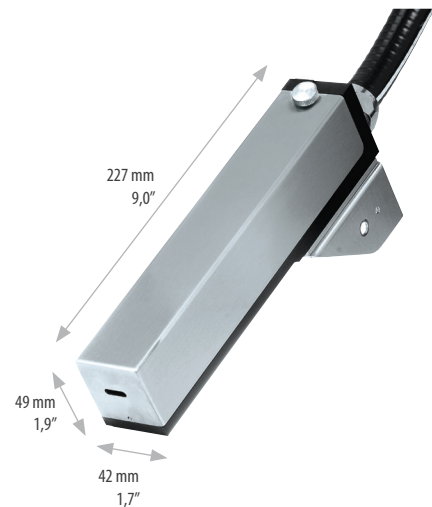
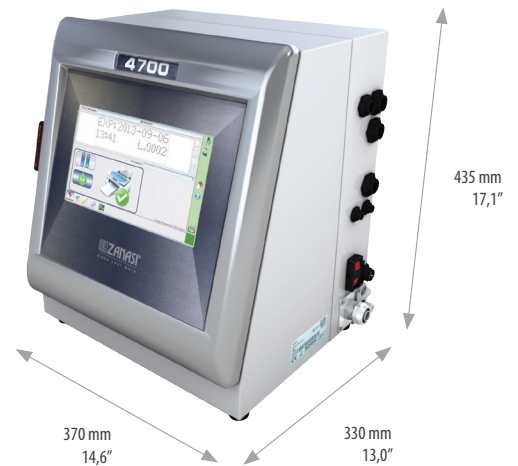
- Stainless steel and aluminium structure hermetically sealed
- Micro Print Nozzle for high quality resolution print (optional)
- Auto-phasing of ink stream for consistent print quality
- Microjet nozzle cleaning function
- Wide range of standard, pigmented, food and MEK-free inks
- Conduit inlet at 90° (optional)
- Internal Supply Positive Air Function
- 90° model for reduced spaces (optional)

EXTERNAL CONNECTIONS

- Serial connection RS232 and RS485/422
- Ethernet interface for LAN 10/100 connection
- USB port version 2.0
- Sensor management for product reading
- System ready output
- Shaft Encoder input for variable speed production lines
- External alarm outputs with traffic light column
- Parallel interface BCD, 2 bit
- Scanner connection for printed bar code validation or index message selection

ENVIRONMENT/ELECTRICAL REQUIREMENTS

- Temperature: from 5° to 45° C (40° - 113°F)
- Humidity: 10 - 90% (non-condensing)
- Single Phase, 85 - 240 Vac, 50 - 60 Hz, 100 VA



Use a QR code reader to see the product page